



**High quality British
Manufactured super insulated
steel buffer vessels designed for
any application.**

WH Cylinders manufacture a range of high quality Mild Steel Buffer Vessels for any application.

All of our vessels are manufactured from high quality mild steel, under an ISO9001 certified quality management system in our purpose built manufacturing facility in Manchester.

Key Features

- **High quality mild steel**
- **5 Year manufacturing warranty**
- **Highly efficient injection foam insulation**
- **Easy lifting and positioning features**
- **ISO9001 certified quality management**
- **Bespoke fast turnaround vessels available**
- **Primary expansion vessels available**



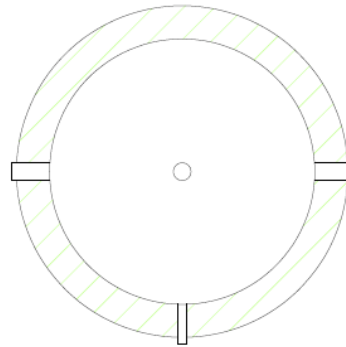
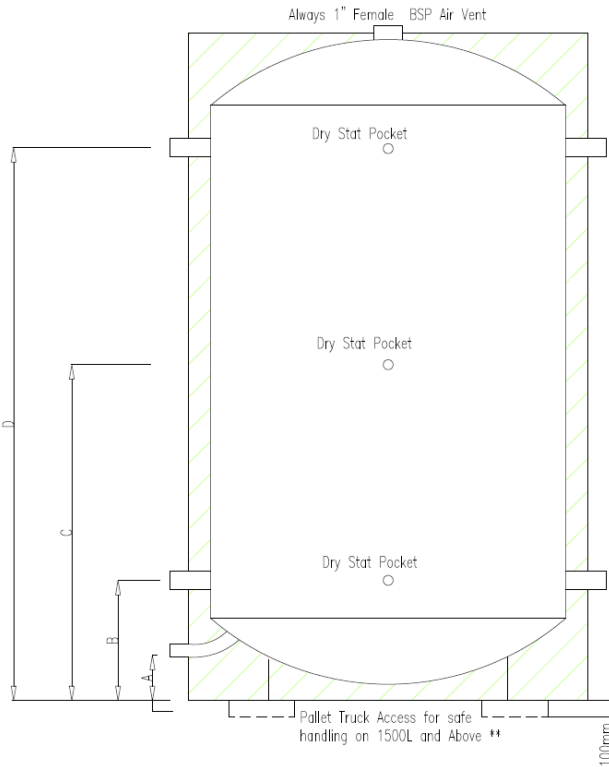
Tudor House
Tudor Industrial Estate
Ashton Street
Dukinfield
Cheshire
SK16 4RN



Tel: 0161 343 8610
Fax: 0161 343 5585
Email: sales@whcylinders.co.uk

Dimensional Drawing WH Cylinders

Buffer Vessel Cylinders 3000L to 8000L



Product Code	Capacity (L)	Cylinder Height (mm)	Cylinder Diameter (mm)	Connection A		Connection B		Connection C		Connection D	
				Size (Female BSP)	Height (mm)	Size (Female BSP)	Height (mm)	Dry Stat Pocket	Height (mm)	Size (Female BSP)	Height (mm)
3000MSBUFF	3000	2840	1300	1"	115	1 1/4"	420	Dry Stat Pocket	870	1 1/4"	2400
4000MSBUFF	4000	2500	1600	1"	130	1 1/2"	420	Dry Stat Pocket	895	1 1/2"	2100
5000MSBUFF	5000	2750	1700	1"	215	1 1/2"	420	Dry Stat Pocket	945	1 1/2"	2350
6000MSBUFF	6000	2850	1700	1"	245	2"	420	Dry Stat Pocket	1070	2"	2450
8000MSBUFF	8000	2750	2100	1"	245	2"	420	Dry Stat Pocket	1220	2"	2350

Nominal capacity (Litres)		3000	4000	5000	6000	8000
Approximate Weight (KG)	Empty	1020	1200	1400	2040	2400
	Full	4020	5200	6400	8040	10400
	Packaged	1120	1300	1500	2140	2500
Cylinder Material	Mild Steel					
Insulation Type	Polyurethane (PU) Insulation with CO2 Blowing Agent					
Insulation thickness (mm)		50*	50*	50*	50*	50*
Standing heat loss @ 60°C (kWh/24hrs)		7.5	8.91	10.38	14.5	20.81
GWP of Insulation		0	0	0	0	0
ODP of Insulation		Less than 5	Less than 5	Less than 5	Less than 5	Less than 5

* 100mm insulation available on request

** Alternative volumes and Bespoke Buffer Vessels available on request

WH Cylinders

Unit 4, Tudor Industrial Estate, Ashton Street, Dukinfield, Cheshire, SK16 4RN

Tel: 0161 343 8610

Fax: 0161 343 5585

Email: sales@whcylinders.co.uk

Web: www.whcylinders.co.uk

