

## Product Information

WH Cylinders

Super Flow & Climacyl

Unvented Domestic Hot Water Cylinders



**High quality British  
manufactured stainless steel  
domestic hot water solutions  
designed for any application.**

**WH Cylinders manufacture a full range of  
unvented mains pressure domestic hot  
water cylinders for any application.**

All of our cylinders are manufactured from high quality stainless steel under an ISO9001 certified quality management system in our purpose made manufacturing facility in Manchester.

### Key Features

- High quality stainless steel
- 25 Year manufacturing warranty
- Highly insulated Part L compliant
- Full system unvented kits
- WRAS approved product
- ISO9001 certified quality management
- Pre-plumbed models available



Tudor House  
Tudor Industrial Estate  
Ashton Street  
Dukinfield  
Cheshire  
SK16 4RN

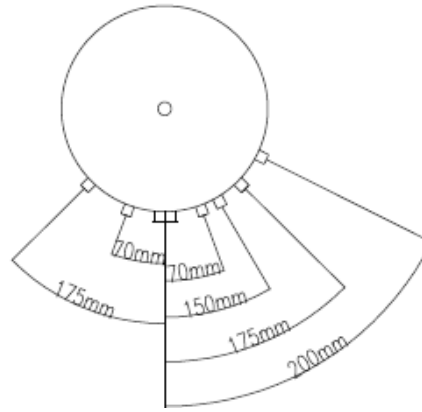
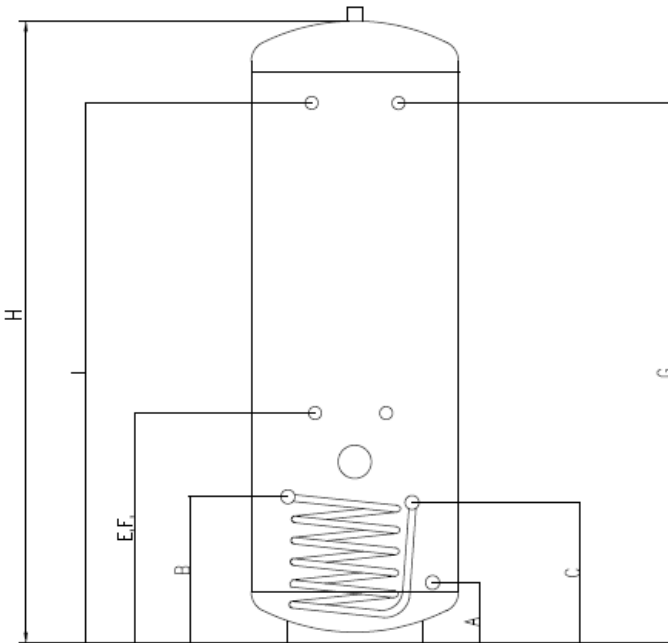
Tel: 0161 343 8610  
Fax: 0161 343 5585  
Email: [sales@whcylinders.co.uk](mailto:sales@whcylinders.co.uk)

# Indirect Super Flow Dimensional Drawing

## WH Cylinders

### Super Flow

### Unvented Domestic Hot Water Cylinders



\*All dimensions in mm  
\*\* Connection dimensions may differ from this table



Capacity	Diameter	A	B	C	D	E & F	G	H	I
150	550	190	330	330	370	385	N/A	1093	750
180	550	190	330	330	370	385	N/A	1281	950
210	550	190	365	365	405	465	1150	1469	1200
250	550	190	365	365	405	560	1400	1719	1550
300	550	190	365	365	405	660	1600	2032	1800

Nominal capacity (Litres)		150	180	210	250	300
Overall packaged dimensions H x W x D (mm)		1250 x 600 x 600	1450 x 600 x 600	1600 x 600 x 600	1920 x 600 x 600	2230 x 600 x 600
Approximate Weight (KG)	Empty	40	45	50	55	60
	Full	190	225	260	305	360
	Packaged	197	236	271	312	273
Control & relief valve pressure settings	Pressure Reducing Valve	3 bar	3 bar	3 bar	3 bar	3 bar
	Exp Vessel	12L	12L	18L	18L	24L
	T & P Valve	4 Bar	4 Bar	4 Bar	4 Bar	4 Bar
	Drain Cock	1/2"	1/2"	1/2"	1/2"	1/2"
	Air Vent	1/2"	1/2"	1/2"	1/2"	1/2"
	Y Strainer	22mm	22mm	22mm	22mm	22mm
Coil Sizes	DWH	2M <sup>2</sup> & 3M <sup>2</sup>	2M <sup>2</sup> & 3M <sup>2</sup>	2M <sup>2</sup> & 3M <sup>2</sup>	2M <sup>2</sup> & 3M <sup>2</sup>	2M <sup>2</sup> & 3M <sup>2</sup>
	Solar*	1m <sup>2</sup>	1m <sup>2</sup>	1m <sup>2</sup>	1m <sup>2</sup>	1m <sup>2</sup>
Immersion Heater	3KW Single Phase - 230V - 50hz					
Cylinder Material	Duplex Stainless Steel					
Insulation Type	Polyurethane (PU) Insulation with CO2 Blowing Agent					
Insulation thickness (mm)		50	50	50	50	50
Standing heat loss		1.31	1.60	1.85	2.1	2.31
GWP of Insulation		0	0	0	0	0
ODP of Insulation		Less than 5	Less than 5	Less than 5	Less than 5	Less than 5

\* Solar twin coil units available on request

\*\* Bespoke cylinders available on request

