

Product Information

WH Cylinders

Slim line Heat Pump Cylinders

Unvented Domestic Hot Water Cylinders



**High quality British
manufactured stainless steel
domestic hot water solutions
designed for any application.**

WH Cylinders manufacture a full range of
slimline unvented mains pressure domestic
hot water cylinders for any application.

All of our cylinders are manufactured from
high quality stainless steel under an ISO9001
certified quality management system in our
purpose made manufacturing facility in
Manchester.

Key Features

- High quality stainless steel
- 25 Year manufacturing warranty
- Only 475mm diameter
- Highly insulated Part L compliant
- Full system unvented kits
- WRAS approved product
- ISO9001 certified quality management
- Pre-plumbed models available



Tudor House
Tudor Industrial Estate
Ashton Street
Dukinfield
Cheshire
SK16 4RN

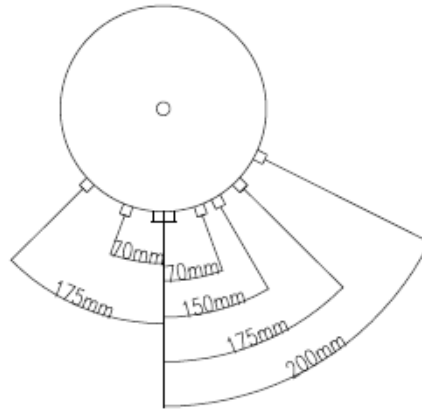
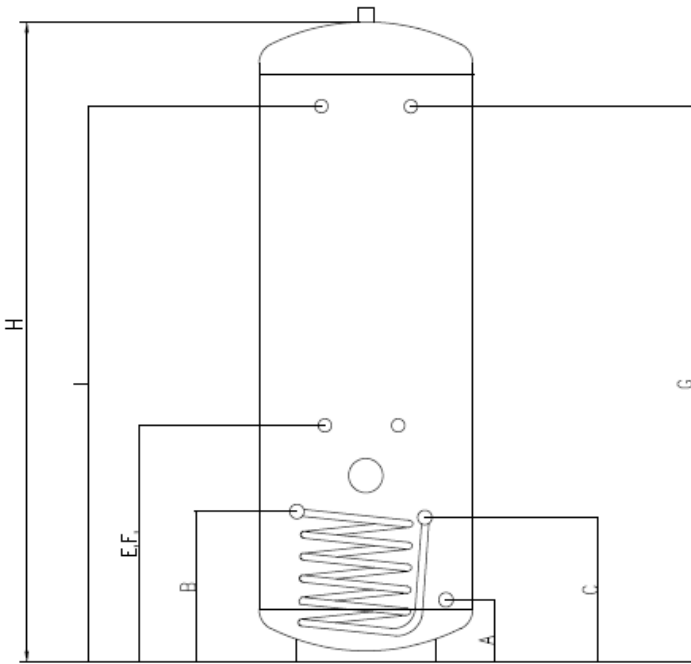


Tel: 0161 343 8610
Fax: 0161 343 5585
Email: sales@whcylinders.co.uk

Indirect Super Flow Dimensional Drawing

WH Cylinders

Slimline Unvented Domestic Hot Water Cylinders



*All dimensions in mm
** Connection dimensions may differ from this table



Capacity	Diameter	H CYL HEIGHT	A Cold Feed	B FLOW/RET	C FLO/RET	D I/H	E & F Stat Pocket	G T/P	I S/RET
90	470	1018	180	370	400	450	550	858	N/A
120	470	1206	180	370	400	450	550	1046	N/A
150	470	1394	180	370	400	450	550	1234	N/A
180	470	1644	180	370	400	450	550	1484	N/A
210	470	1957	180	370	400	450	550	1797	1797

Nominal capacity (Litres)		90	120	150	180	210
Approximate Weight (KG)	Empty	30	35	40	45	50
	Full	120	155	190	225	260
	Packaged	127	162	197	236	271
Control & relief valve pressure settings	Pressure Reducing Valve	3 bar	3 bar	3 bar	3 bar	3 bar
	Exp Vessel	12L	12L	18L	18L	24L
	T & P Valve	4 Bar	4 Bar	4 Bar	4 Bar	4 Bar
	Drain Cock	1/2"	1/2"	1/2"	1/2"	1/2"
	Air Vent	1/2"	1/2"	1/2"	1/2"	1/2"
	Y Strainer	22mm	22mm	22mm	22mm	22mm
Coil Sizes	DWH	2M ² & 3M ²	2M ² & 3M ²	2M ² & 3M ²	2M ² & 3M ²	2M ² & 3M ²
	Solar*	1m ²	1m ²	1m ²	1m ²	1m ²
Immersion Heater	3KW Single Phase - 230V - 50hz					
Cylinder Material	Duplex Stainless Steel					
Insulation Type	Polyurethane (PU) Insulation with CO2 Blowing Agent					
Insulation thickness (mm)	50	50	50	50	50	
Standing heat loss	1.31	1.60	1.85	2.1	2.31	
GWP of Insulation	0	0	0	0	0	
ODP of Insulation	Less than 5	Less than 5	Less than 5	Less than 5	Less than 5	

* Solar twin coil units available on request

** Bespoke cylinders available on request

