

## Product Information

WH Cylinders

Buffer Vessel Cylinders 500L to 2500L



**High quality British  
Manufactured super insulated  
steel buffer vessels designed for  
any application.**

WH Cylinders manufacture a range of high quality Mild Steel Buffer Vessels for any application.

All of our vessels are manufactured from high quality mild steel, under an ISO9001 certified quality management system in our purpose built manufacturing facility in Manchester.

### Key Features

- High quality mild steel
- 5 Year manufacturing warranty
- Highly efficient injection foam insulation
- Easy lifting and positioning features
- ISO9001 certified quality management
- Bespoke fast turnaround vessels available
- Primary expansion vessels available



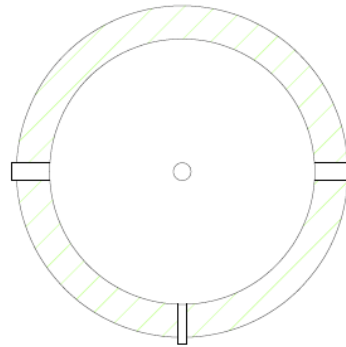
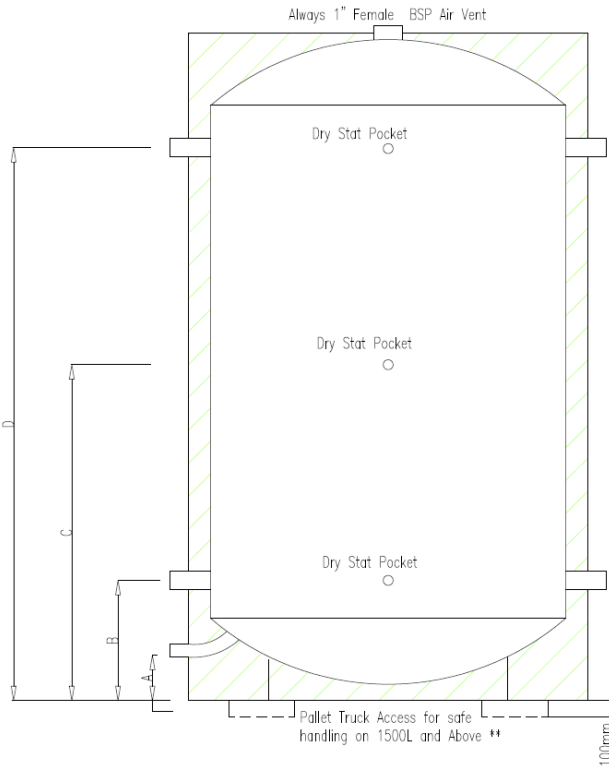
Tudor House  
Tudor Industrial Estate  
Ashton Street  
Dukinfield  
Cheshire  
SK16 4RN



Tel: 0161 343 8610  
Fax: 0161 343 5585  
Email: [sales@whcylinders.co.uk](mailto:sales@whcylinders.co.uk)

# Dimensional Drawing WH Cylinders

## Buffer Vessel Cylinders 500L to 2500L



Product Code	Capacity (L)	Cylinder Height (mm)	Cylinder Diameter (mm)	Connection A (Drain)		Connection B		Connection C		Connection D	
				Size (Female BSP)	Height (mm)	Size (Female BSP)	Height (mm)	Dry Stat Pocket	Height (mm)	Size (Female BSP)	Height (mm)
500MSBUFF	500	1800	700	1"	115	1 1/4"	240	Dry Stat Pocket	870	1 1/4"	1520
1000MSBUFF	1000	1850	1000	1"	115	1 1/2"	335	Dry Stat Pocket	895	1 1/2"	1475
1500MSBUFF	1500	1950	1200	1"	215	1 1/2"	335	Dry Stat Pocket	945	1 1/2"	1575
2000MSBUFF	2000	2200	1300	1"	245	2"	365	Dry Stat Pocket	1070	2"	1795
2500MSBUFF	2500	2500	1300	1"	245	2"	365	Dry Stat Pocket	1220	2"	2095

<b>Nominal capacity (Litres)</b>		<b>500</b>	<b>1000</b>	<b>1500</b>	<b>2000</b>	<b>2500</b>
<b>Approximate Weight (KG)</b>	<b>Empty</b>	250	340	500	600	700
	<b>Full</b>	750	1340	2000	2600	3200
	<b>Packaged</b>	275	365	525	625	725
<b>Cylinder Material</b>	Mild Steel					
<b>Insulation Type</b>	Polyurethane (PU) Insulation with CO2 Blowing Agent					
<b>Insulation thickness (mm)</b>		50*	50*	50*	50*	50*
<b>Standing heat loss @ 60°C (kWh/24hrs)</b>		2.3	3.61	4.83	5.51	6.56
<b>GWP of Insulation</b>		0	0	0	0	0
<b>ODP of Insulation</b>		Less than 5	Less than 5	Less than 5	Less than 5	Less than 5

\* 100mm insulation available on request

\*\* Alternative volumes and Bespoke Buffer Vessels available on request

WH Cylinders

Unit 4, Tudor Industrial Estate, Ashton Street, Dukinfield, Cheshire, SK16 4RN

Tel: 0161 343 8610

Fax: 0161 343 5585

Email: sales@whcylinders.co.uk

Web: www.whcylinders.co.uk

