

Product Information

WH Cylinders

Climacyl—Unvented Heat Pump Cylinders

300L, 400L & 500L x 700mm diameter



WORLD HEAT
CYLINDERS



**High quality British
manufactured stainless steel
domestic hot water solutions
designed for any application.**

**WH Cylinders manufacture a full range of
unvented mains pressure domestic hot
water cylinders for any application.**

All of our cylinders are manufactured from high quality stainless steel under an ISO9001 certified quality management system in our purpose made manufacturing facility in Manchester.

Key Features

- High quality stainless steel
- 25 Year manufacturing warranty
- Highly insulated Part L compliant
- Full system unvented kits
- WRAS approved product
- ISO9001 certified quality management
- Pre-plumbed models available



Tudor House
Tudor Industrial Estate
Ashton Street
Dukinfield
Cheshire
SK16 4RN

Tel: 0161 343 8610
Fax: 0161 343 5585
Email: sales@whcylinders.co.uk

Product Information

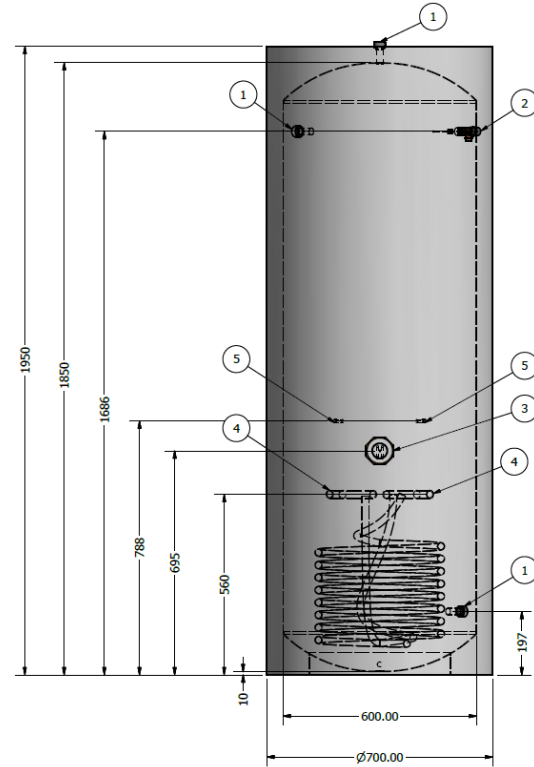
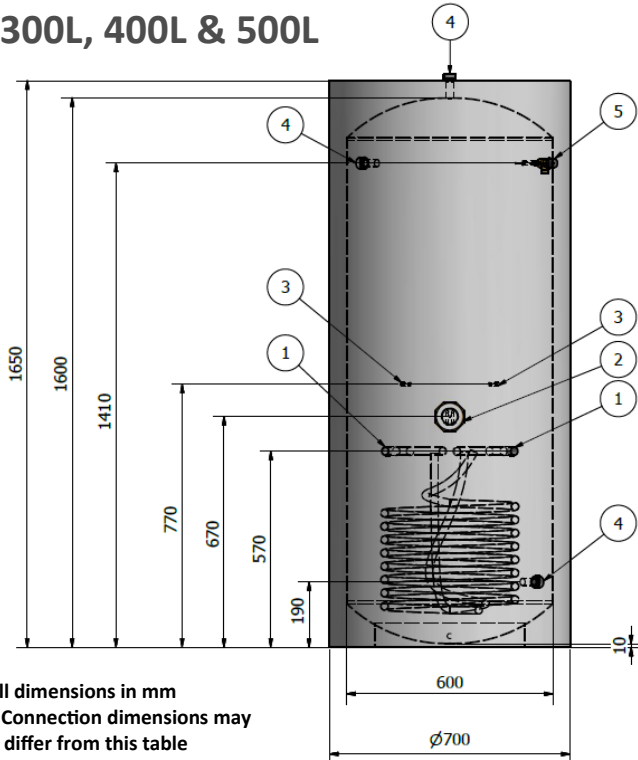
WH Cylinders

Climacyl—Unvented Heat Pump Cylinders

300L, 400L & 500L



WORLD HEAT
CYLINDERS



*All dimensions in mm
** Connection dimensions may differ from this table

Capacity (L) (Cased)	Diameter	A (COLD FEED)	B (RETURN)	C (FLOW)	D Immersion Heater	E Stat Pocket	F T/P	G HEIGHT (Cased)
300	700	190	570	570	670	770	997	1237
400	700	190	570	570	670	770	1410	1650
500	700	190	570	570	670	770	1686	1950

Nominal capacity (Litres)		300	400	500
Overall packaged dimensions H x W x D (mm)		1500 X 750 x 750	1750 X 750 x 750	2100 x 750 x 750
Approximate Weight (KG)	Empty	102	118	135
	Full	402	518	635
	Packaged	113	129	146
Control & relief valve pressure settings	Pressure Reducing & Relief Valve	3 Bar / 6 Bar	3 Bar / 6 Bar	3 Bar / 6 Bar
	Expansion Vessel	35L	35L	35L
	T & P Valve	7 Bar	7 Bar	7 Bar
Climacyl Coil Size	Heat Pump Coil Details	3M ² (Multi pass heat exchanger on 1" header. Pressure drop approximately 8kPa at 25L/M)	3M ² (Multi pass heat exchanger on 1" header. Pressure drop approximately 8kPa at 25L/M)	3M ² (Multi pass heat exchanger on 1" header. Pressure drop approximately 8kPa at 25L/M)
Immersion Heater	3KW Single Phase - 230V - 50hz			
Cylinder Material	Duplex Stainless Steel			
Insulation Type	Polyurethane (PU) Insulation with CO2 Blowing Agent			
Insulation thickness (mm)	50	50	50	
Standing Heat Loss (Watts)	96	107	115	
Energy Efficiency Class	C	C	C	
GWP of Insulation	Less than 5	Less than 5	Less than 5	
ODP of Insulation	0	0	0	

* Solar twin coil units available on request

** Bespoke cylinders available on request

