

## Product Information Sheet

WH Cylinders

EcoTherm Direct Separate F+E Thermal Store Slim

120 Litre to 210 Litre



**WORLD HEAT**  
CYLINDERS



**High quality British  
manufactured Stainless Steel  
Thermal Stores designed for any  
application.**

**WH Cylinders manufacture a full range of  
Thermal store cylinders for any application.**

All of our cylinders are manufactured from high quality Copper under an ISO9001 certified quality management system in our purpose built manufacturing facility in Manchester.

### Key Features

- High quality Stainless Steel
- 5 Year manufacturing warranty
- Highly insulated Part L compliant
- Full Pre Plumbed system kits provided
- ISO9001 certified quality management
- 2 x 3KW Immersion Heater



Tudor House  
Tudor Industrial Estate  
Ashton Street  
Dukinfield  
Cheshire  
SK16 4RN

**Tel:** 0161 343 8610  
**Fax:** 0161 343 5585  
**Email:** sales@whcylinders.co.uk

# Product Information Sheet

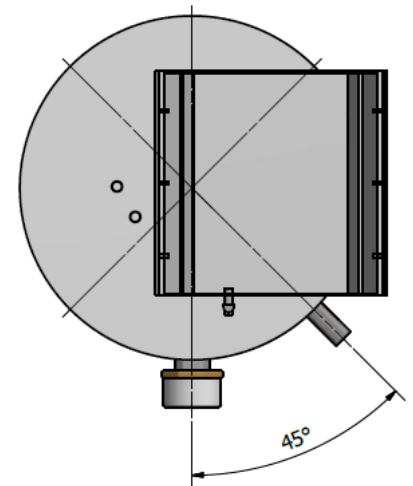
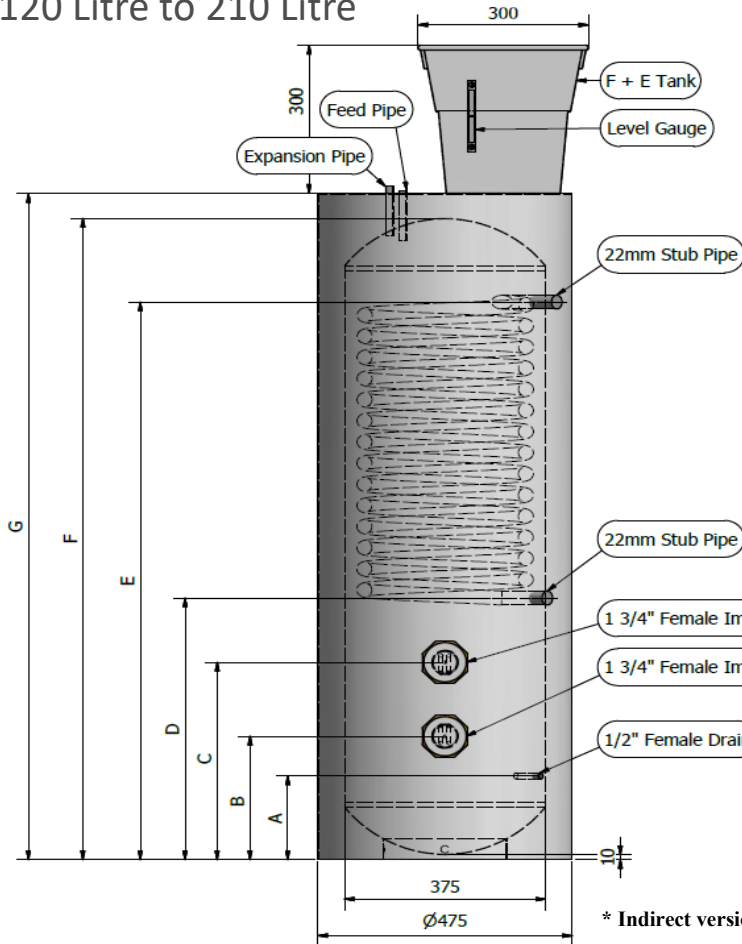
## WH Cylinders

### EcoTherm Direct Separate F+E Thermal Store Slim

120 Litre to 210 Litre



**WORLD HEAT**  
CYLINDERS



\* Indirect versions available—Replaces bottom immersion with boiler coil

Dimension	A	B	C	D	E	F	G
<b>Capacity (Litres)</b>	1/2" F Drain	1 3/4" Immersion	1 3/4" Immersion	22mm Coil Return	22mm Coil Flow	Cylinder Dimension	Cased Cylinder Dimension
<b>120</b>	170mm	250mm	400mm	500mm	880mm	1050mm	1100mm
<b>150</b>	170mm	250mm	400mm	530mm	1130mm	1300mm	1350mm
<b>180</b>	170mm	250mm	400mm	780mm	1380mm	1550mm	1600mm
<b>210</b>	170mm	250mm	400mm	1050mm	1650mm	1850mm	1900mm

Model		120ECOTHERMSLIMSH	150ECOTHERMSLIMSH	180ECOTHERMSLIMSH	210ECOTHERMSLIMSH
<b>Nominal capacity</b>		120 Litres	150 Litres	180 Litres	210 Litres
<b>Overall packaged dimensions HxWxD (mm)</b>		1200mm x 520mm	1450mm x 520mm	1700mm x 520mm	2000mm x 520mm
<b>Cylinder Size</b>		1100mm x 475mm	1350mm x 475mm	1600mm x 475mm	1900mm x 475mm
<b>Approximate Weight</b>	<b>Empty</b>	30KG	35KG	40KG	45KG
	<b>Full</b>	180KG	185KG	220KG	245KG
	<b>Packaged</b>	35KG	40KG	45KG	50KG

Tudor House  
Tudor Industrial Estate  
Ashton Street  
Dukinfield  
Cheshire  
SK16 4RN

**Tel:** 0161 343 8610  
**Fax:** 0161 343 5585  
**Email:** sales@whcylinders.co.uk

