

Product Information Sheet

WH Cylinders

EcoTherm Direct Separate F+E Thermal Store **Ultra Slim**

150 Litre to 210 Litre



WORLD HEAT
CYLINDERS



**High quality British
manufactured Copper
Thermal Stores designed for any
application.**

**WH Cylinders manufacture a full range of
Thermal store cylinders for any application.**

All of our cylinders are manufactured from high quality Copper under an ISO9001 certified quality management system in our purpose built manufacturing facility in Manchester.

Key Features

- **High quality Copper**
- **5 Year manufacturing warranty**
- **Highly insulated Part L compliant**
- **Full Pre Plumbed system kits provided**
- **ISO9001 certified quality management**
- **2 x 3KW Immersion Heaters**



Tudor House
Tudor Industrial Estate
Ashton Street
Dukinfield
Cheshire
SK16 4RN

Tel: 0161 343 8610
Fax: 0161 343 5585
Email: sales@whcylinders.co.uk

Product Information Sheet

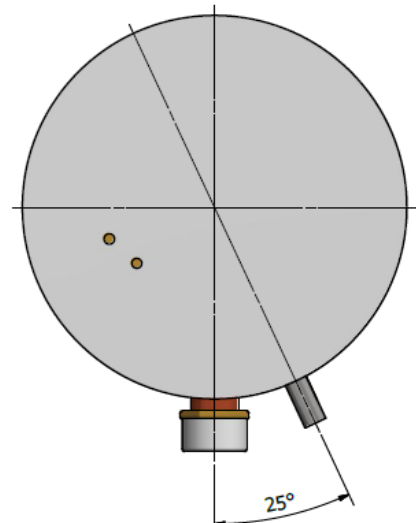
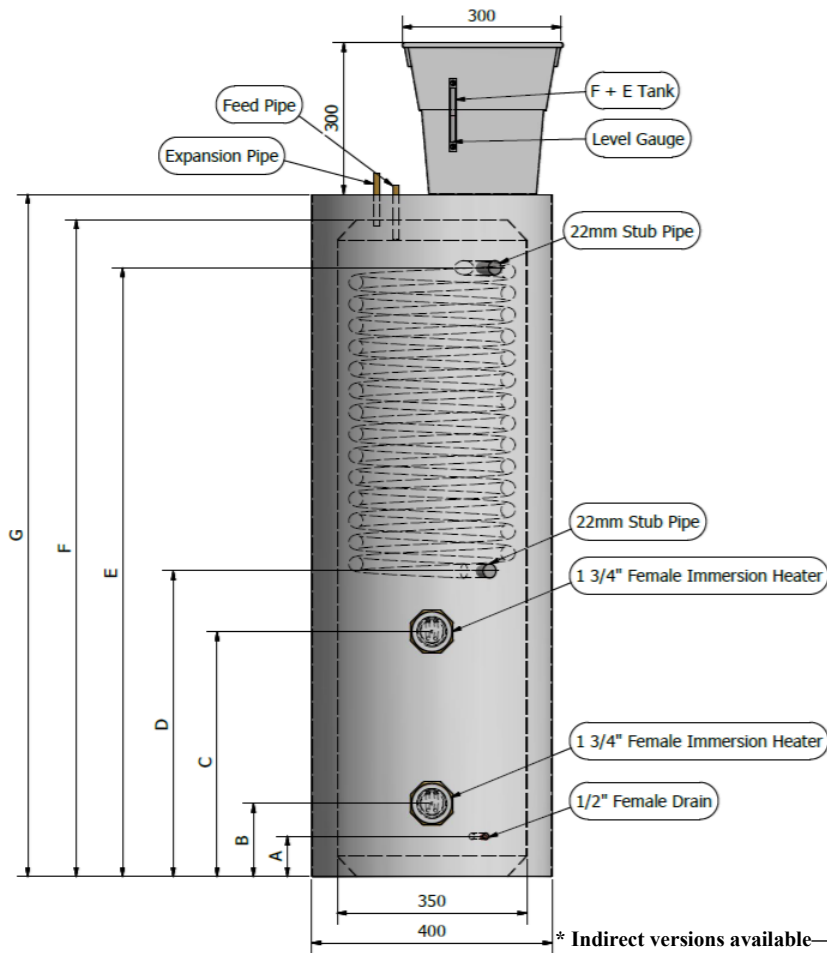
WH Cylinders

EcoTherm Direct Separate F+E Thermal Store Ultra Slim

150 Litre to 210 Litre



WORLD HEAT
CYLINDERS



* Indirect versions available—Replaces bottom immersion with boiler coil

Dimension	A	B	C	D	E	F	G
Capacity (Litres)	1/2" F Drain	1 3/4" Immersion	1 3/4" Immersion	22mm Coil Return	22mm Coil Flow	Cylinder Dimension	Cased Cylinder Dimension
150	100mm	155mm	400mm	830mm	1430mm	1550mm	1600mm
180	100mm	155mm	400mm	1030mm	1630mm	1750mm	1800mm
210	100mm	155mm	400mm	1230mm	1830mm	1950mm	2000mm

Model		150FISCHULTRASLIMSH	180FISCHULTRASLIMSH	210FISCHULTRASLIMSH
Nominal capacity		150 Litres	180 Litres	210 Litres
Overall packaged dimensions HxWxD (mm)		1700mm x 450mm x 450mm	1800mm x 450mm x 450mm	2000mm x 450mm x 450mm
Cylinder Size		1600mm x 400mm	1800mm x 400mm	2000mm x 400mm
Approximate Weight	Empty	35KG	40KG	45KG
	Full	185KG	220KG	255KG
	Packaged	40KG	45KG	50KG

Tudor House
Tudor Industrial Estate
Ashton Street
Dukinfield
Cheshire
SK16 4RN

Tel: 0161 343 8610
Fax: 0161 343 5585
Email: sales@whcylinders.co.uk

