

Product Information
World Heat Cylinders
Inline Volumiser
Buffer Vessels



**High quality British
manufactured stainless steel
domestic hot water solutions
designed for any application.**

World Heat Cylinders manufacture a full range of inline volumisers specifically for connection to Heat Pump Systems.

All of our cylinders are manufactured from high quality Duplex stainless steel under an ISO9001 certified quality management system in our purpose made manufacturing facility in Manchester.

Key Features

- Inline heat pump volumisers
- 25L & 50L version available
- High quality duplex stainless steel material
- Highly Insulated with injection polyurethane insulation
- BSI audited ISO9001 Certified Quality Management
- Primary Pipe Work connections 28mm Compression

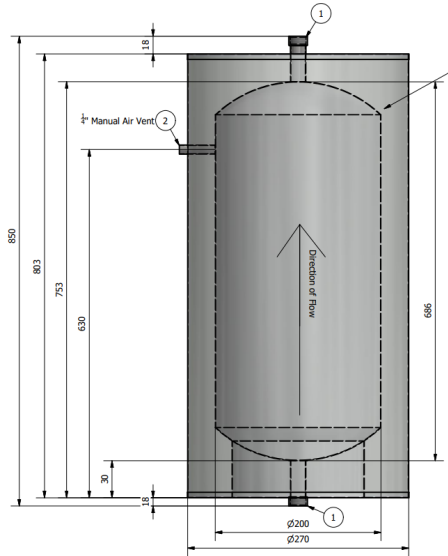


World Heat Cylinders
Unit 4
Tudor Industrial Estate
Ashton Street
Dukinfield
Cheshire
SK16 4RN

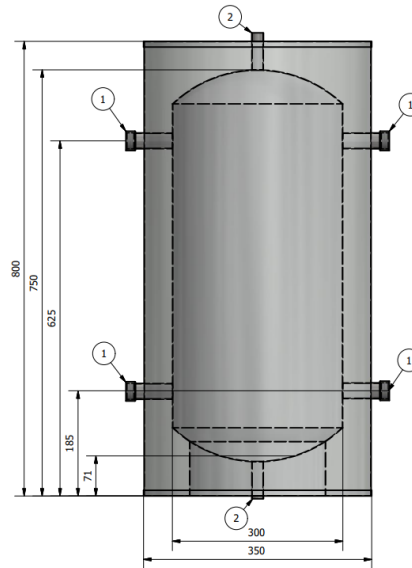
Tel: 0161 343 8610
Fax: 0161 343 5585
Email: sales@whcylinders.co.uk

Dimensional Drawings

UK.INLINE.25



UK.INLINE.50



All pictures shown are for illustration purpose only. Actual product may vary due to product enhancement

Model Reference		UK.INLINE.25	UK.INLINE.50
Nominal Capacity (Litres)		25	50
Overall Shipping Dimensions H x W x D (mm)		950x400x400	900x500x400
Overall Cylinder Dimensions H x W x D (mm)		850x270x270	800x350x350
Weights (kg)	Empty	7KG	14KG
	Full	17KG	60KG
	Packaged	8KG	15KG
Vessel Material		Duplex Stainless Steel	
Connection Size/Type		28mm Compression	
Insulation Type		Polyurethane (PU) Insulation with CO2 Blowing Agent	
Insulation Thickness		35mm	
Maximum working pressure		6 Bar G	
Maximum Flow Rate		60 litres per minute	
Standing Heat Loss (W)		22	44
ERP Rating		A	A
GWP of Insulation		0	0
ODP of Insulation		Less than 5	Less than 5

* Larger capacity volumisers and buffers up to 8,000 litres are available on request

